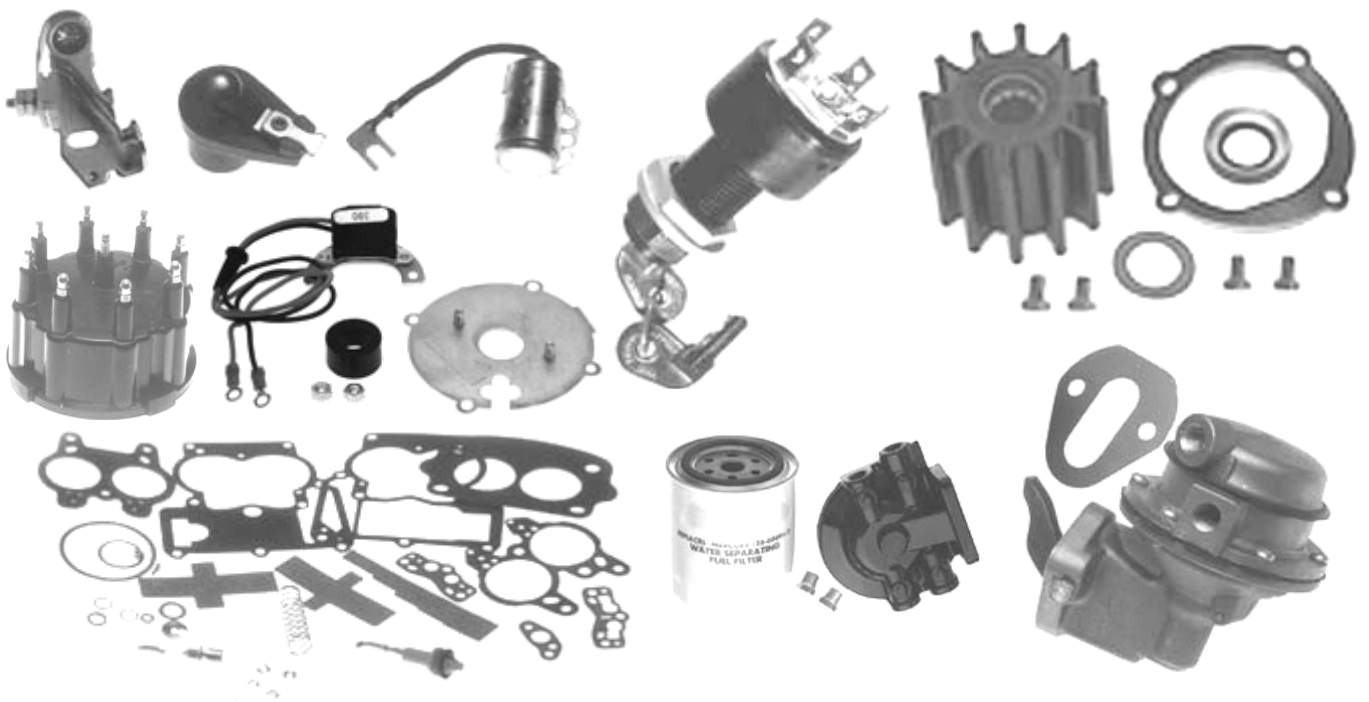


Sierra Parts

Marine Engine and Drive Parts

Parts Available for Most Make and Models
(OMC, Mercury, Chrysler/Force, Yamaha, Mercruiser, Volvo/Penta, Etc.)



Parts Include:

Electronic Distributor, Electronic Conversion Kit, Distributor Caps, Rotor, Contact Sets, Condensers, Tune-up Kits, Coils, Power Pack & Switch Box, Thunderbolt Ignition, Spark Plug Wires, Magnature Ignition Module, Ignition Switches, Starters (Inboard & Outboard), Alternators, Stators, Trim & Tilt Pumps, Solenoids, Voltage Regulators, Fuel Injection Components, Floats, Fuel Pump & Kits, Fuel Filter & Bracket, Fuel Line Assemblies, Water Pump Housing Kits, Impellers, Volvo Water pump Kits, Thermostats, Engine Coupler, Oil Filters & Accessories, Pistons (Inboard & Outboard), Piston Rings, Piston Sleeves, Crankshaft (Outboard), Camshaft, Timing Kits, Head Gaskets, Powerhead Gasket Sets, Exhaust Manifolds, Risers and Elbows, Exhaust Tubes, Bellows, Shift Cables, U-Joints, Gimbal Bearings, Center Sockets, Prop Shaft & Drive Shaft, Spanner Nut, Lower Gear Set, Upper Gear Set, Sliding Clutch, Ball Gear, Engine Alignment Tool, Control Box Lever & Cam, Outdrive Gasket, Pivot Pins, Seal Kits, Shift Bushing & Shaft, Power Tilt/Trim Hoses, Power Trim Bushing, Trim Motors, Anodes, Trim Tabs, Prop Spacers, Bearings, ETC.